

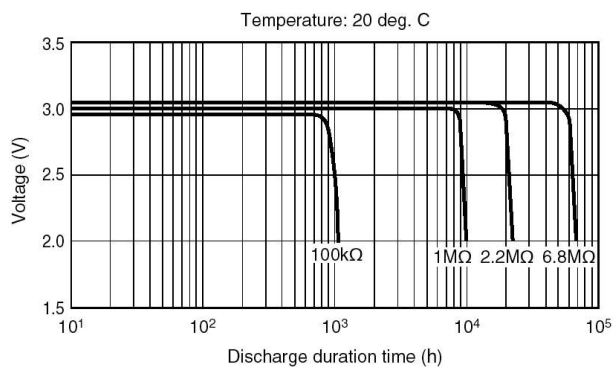
# GP Batteries

## Data Sheet

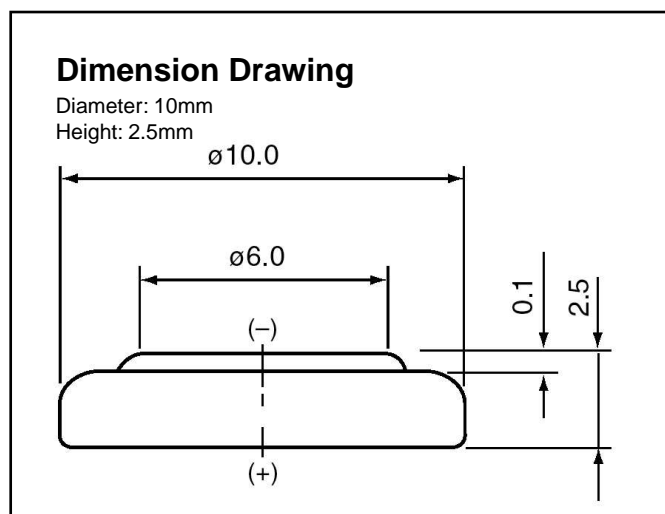
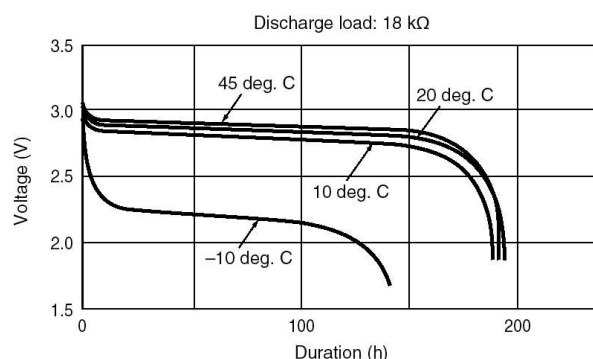
Model No.: CR1025

Description : Flat Lithium Battery  
 Chemical system : Lithium Manganese Dioxide  
 Nominal voltage : 3 Volts  
 Nominal capacity : 30mAh  
 Dimensions :  $\varnothing 10 \times 2.5$ mm  
 Shelf life : 5 years at room temperature  
 Average weight : 0.6 grams  
 Applications : watch, calculator, camera  
 and memory back up.

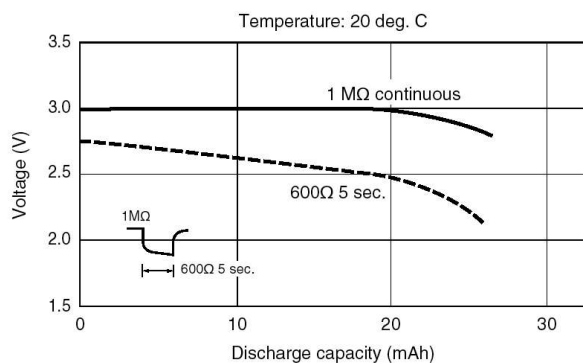
### Discharge Characteristics



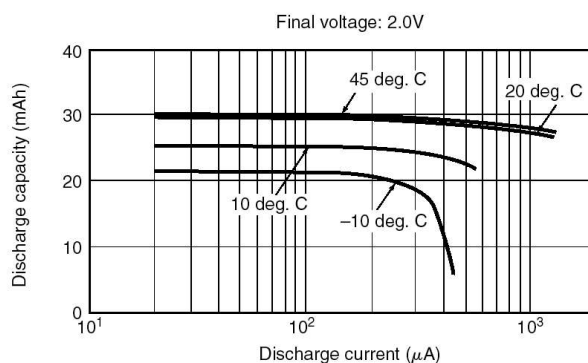
### Temperature Characteristics



### Pulse Discharge Characteristics



### Relationship between Discharge Current and Discharge Capacity



### Cross References:

IEC	JIS	Eveready	Varta
CR1025	CR1025	ECR1025	CR1025