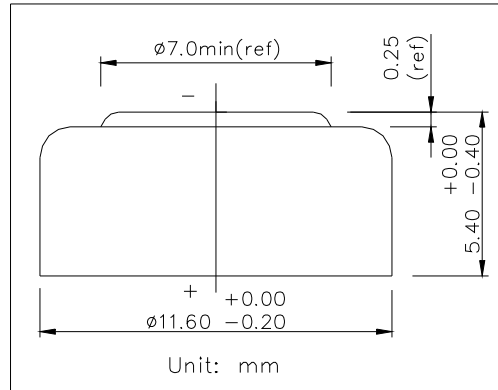
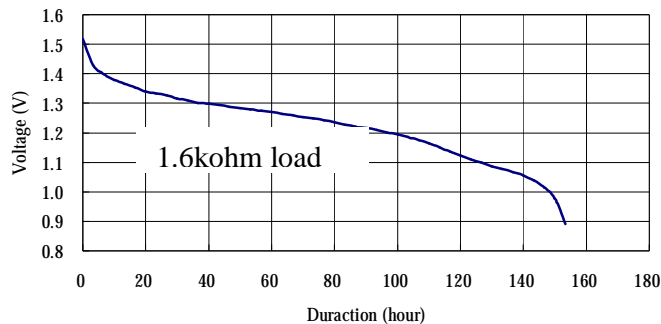


Type : Mercury Free
 Alkaline Button Cell
Chemical System : Zinc/Manganese Dioxide
Nominal Voltage : 1.5V
Nominal Dimension : $\Phi 11.6 \times 5.4$ mm
Applications : Calculator, hearing,
 lighter, camera,... etc.
Average Weight : 1.9g
Date Code : Unless otherwise specified, each cell
 will carry
 a numeric year code and
 an alphabetical month code.
Close Circuit Voltage : 1.3V(min.)(load resistor 50 Ω at 20 $^{\circ}$ C
 for 0.1 to 2 seconds
Nominal Service Life : 140hrs (load 1.6k Ω to cut off 1.0V
 under 20 $^{\circ}$ C)
Average Service Capacity : 110mAh (load 1.6k Ω to cut off 1.0V
 under 20 $^{\circ}$ C)

Model No.: **GPA76F**



Typical discharge curve when at 20 \pm 2 $^{\circ}$ C



Cross References:

IEC	Maxell	Duracell	Others
LR44	LR44	PX76A	V13GA, AG13

The information (subject to change without prior notice) contained in this document is for reference only and should not be used as a basis for product guarantee or warranty. For applications other than those described here, please consult your nearest GP Sales and Marketing Office or Distributors.